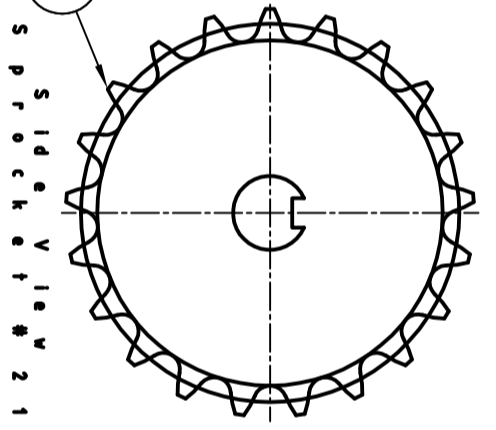
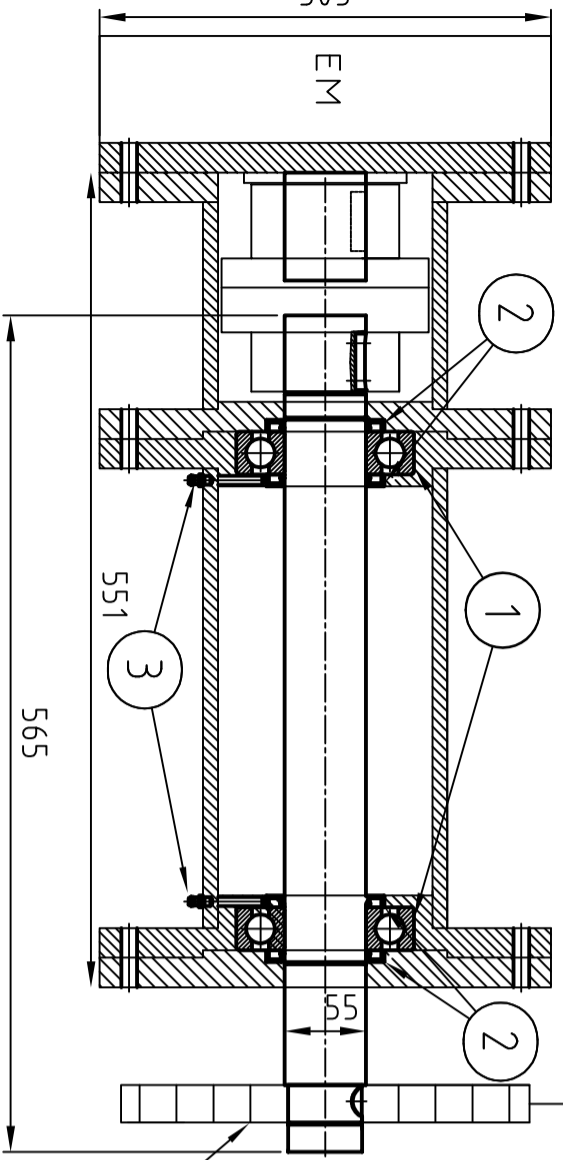
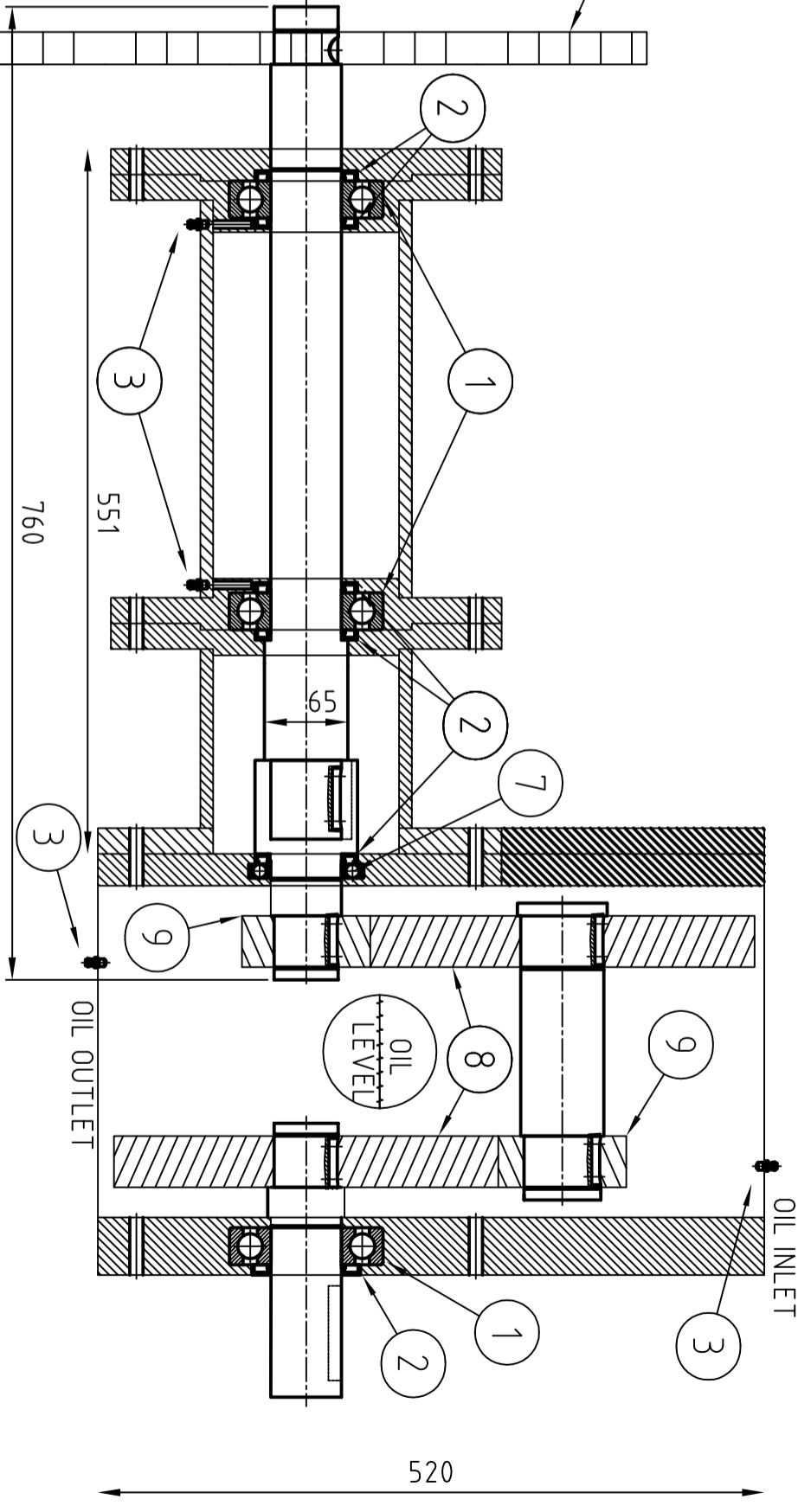


Sprocket View # 4 2



Sprocket View # 2 1



9	2	Helical Gear	55-100x 40	16MgCr5
8	2	Helical Gear	55-300 x 40	16MgCr5
7	1	Deep Groove Ball Bearing	DIN 625 T1 - 16011 - 55 x 90 x 11	-
6	1	Roller chain	ASME/ANSI B29.1M - No. 120 x 90	-
5	1	Sprocket	Sprocket # = 42	16MgCr5
4	1	Sprocket	Sprocket # = 21	16MgCr5
3	6	Lubricating Nipple, coned Type A (coned short)	DIN 714.12 - AM 6	-
2	10	Shaft Seal Ring	DIN 3760 - A - 55 x 80 x 8 - NBR	NBR
1	5	Deep Groove Ball Bearing	DIN 625 T1 - 6311 - 55 x 120 x 29	-

Item Qty	Description	Standard	Material
FILE NAME	FSCM NO	SHEET	SCALE
SIZE	A4	1 of 5	1:5
DRAWN	07/03/2017 Shayyan Nazemi - Zahra Afraz		
CHECK			
APPR.	Dr. Farshad Kakavand		
ISSUED			
REV		DWG NO	
CONTRACT NO			