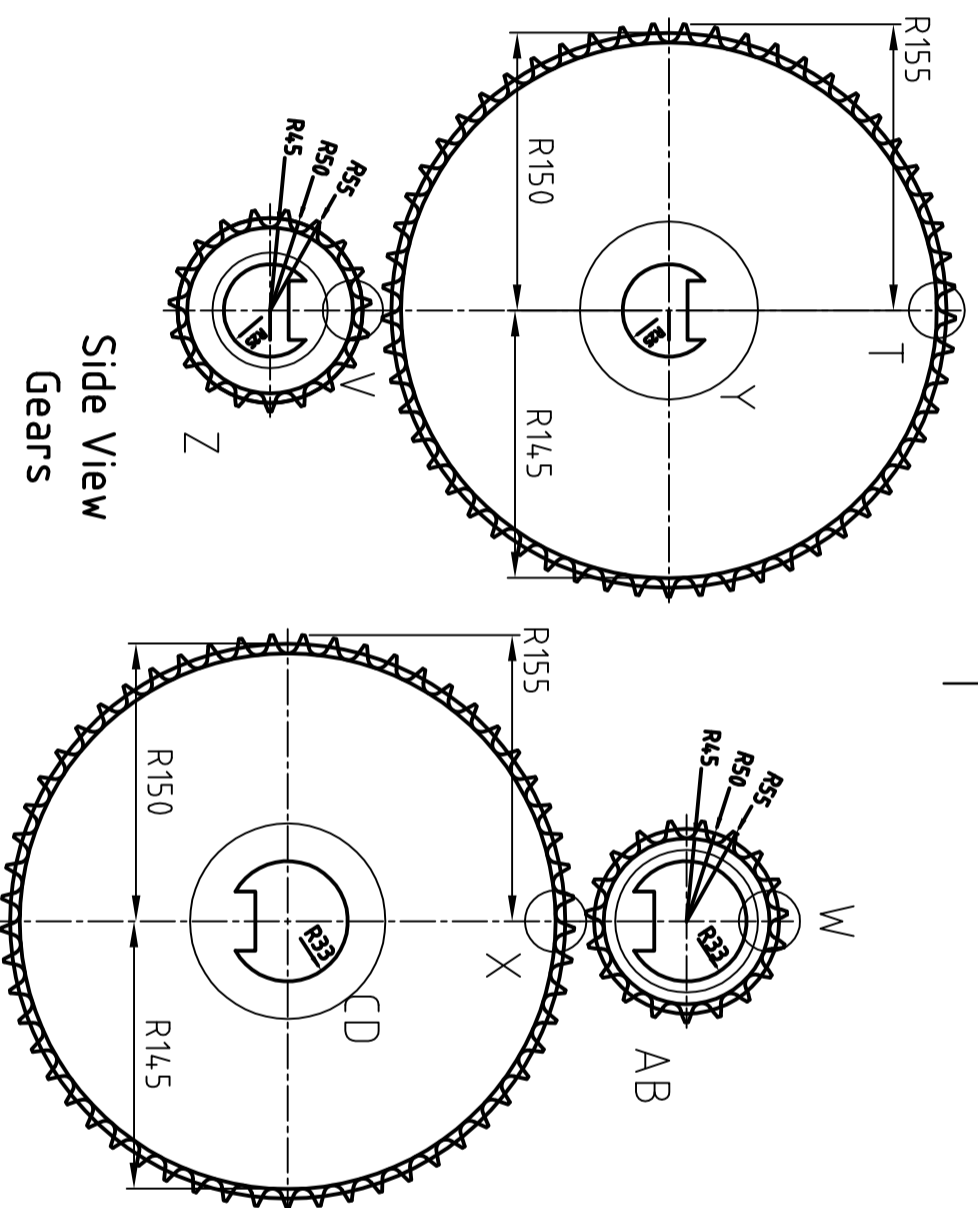
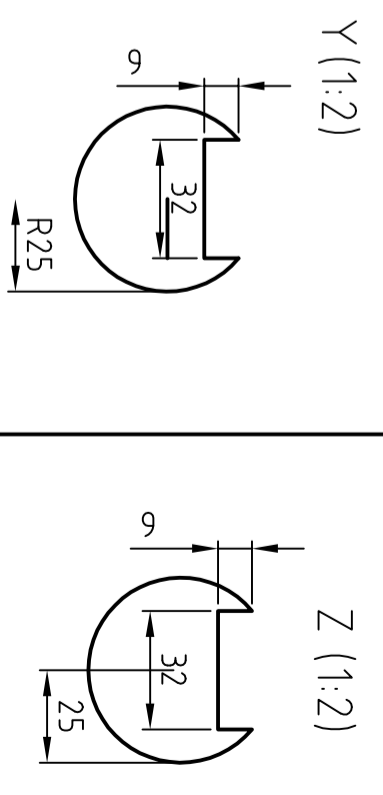


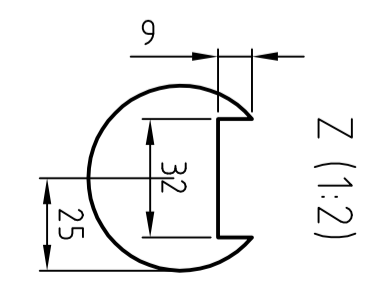
Front View
Gears



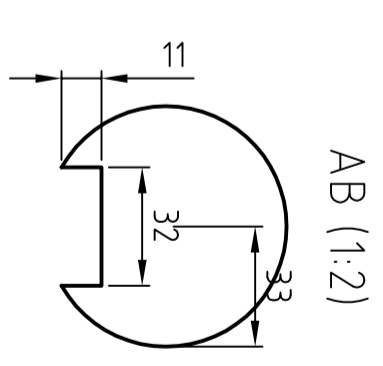
Side View
Gears



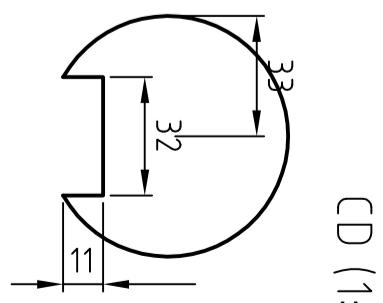
Y (1:2)



Z (1:2)

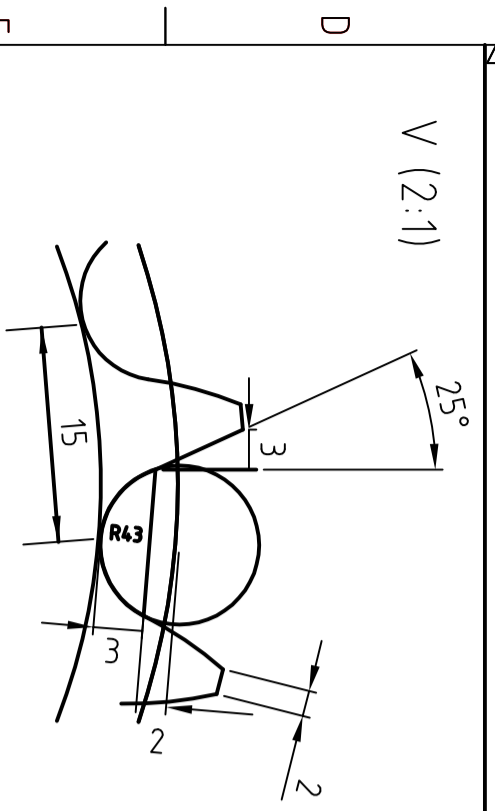


AB (1:2)

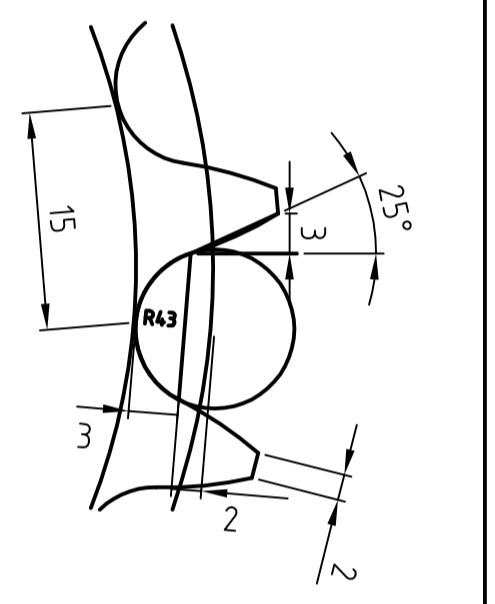


CD (1:2)

For all unspecified tolerances use DIN ISO1101
Do thermal hardening on all surfaces

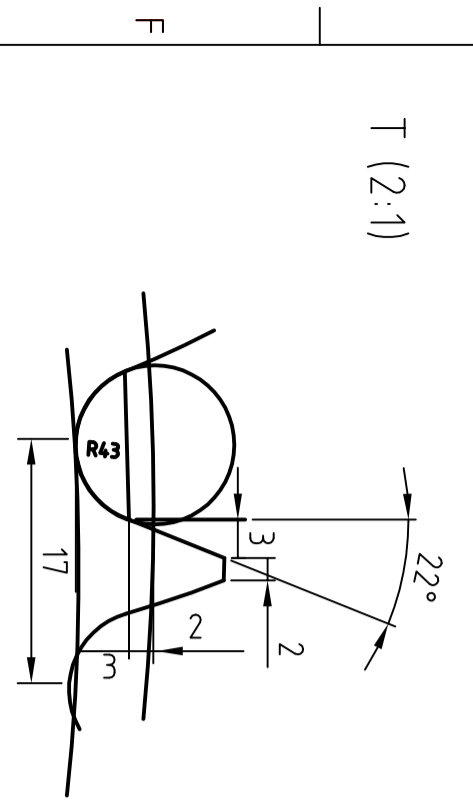


V (2:1)

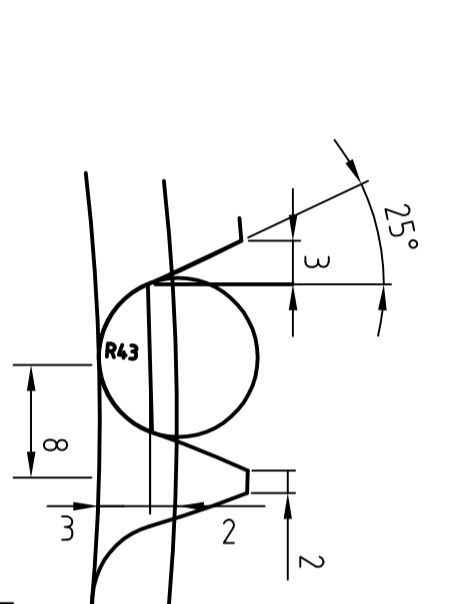


W (2:1)

Helical Gear 65mmx100mmx #19 Teeth									
Helix Angle	Pressure Angle	Phi t	M n	M t	Circular Pitch	N Prime	Tooth System	Da	Db
24	20	22	5	6	16	25	Full Depth	110	87
Helical Gear 65mmx300mmx #57 Teeth									
Helix Angle	Pressure Angle	Phi t	M n	M t	Circular Pitch	N Prime	Tooth System	Da	Db
24	20	22	5	6	16	75	Full Depth	310	287
Helical Gear 50mmx100mmx #19 Teeth									
Helix Angle	Pressure Angle	Phi t	M n	M t	Circular Pitch	N Prime	Tooth System	Da	Db
24	20	22	5	6	16	25	Full Depth	110	87
Helical Gear 50mmx300mmx #57 Teeth									
Helix Angle	Pressure Angle	Phi t	M n	M t	Circular Pitch	N Prime	Tooth System	Da	Db
24	20	22	5	6	16	75	Full Depth	310	287



T (2:1)



X (2:1)

Helical Gear 55-100x 40									
Item	Qty	Description	FSCM NO	Standard	Material				
9	2	Helical Gear		55-100x 40	16MgCr5				
8	2	Helical Gear		55-300 x 40	16MgCr5				

FILE NAME	Items 8,9	SHEET	5 of 5
SIZE	A4	SCALE	1:4
DRAWN	07/03/2017 Shayan Nazemi - Zahra Afraz		
CHECK			
APPR.	Dr. Farshad Kakavand		
ISSUED			
REV		DWG NO	
CONTRACT NO			